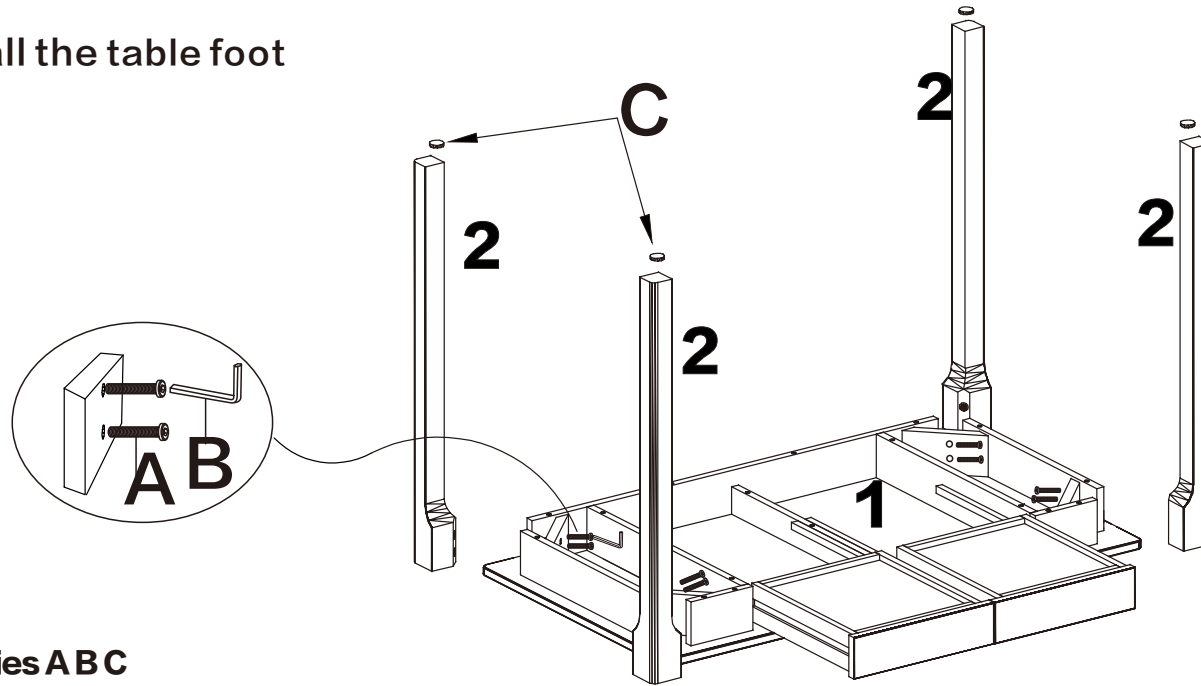


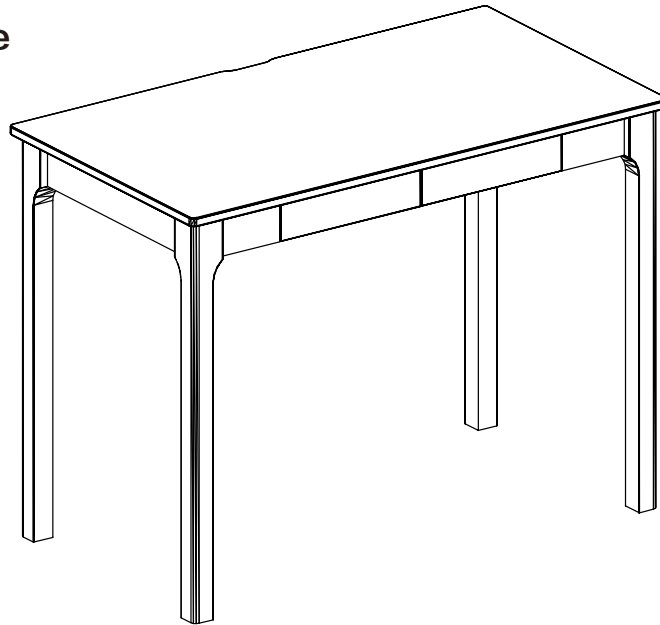
Installation diagram

Step1:Install the table foot



Use accessories A B C

Step2:Installation complete

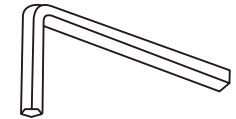


	Part name	pcs
1	Panel frame	1
2	Table foot	4

A 8pcs



B 1pcs



C 4pcs

