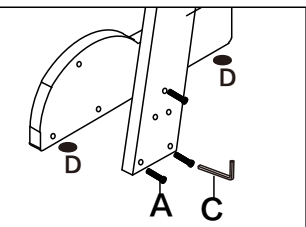
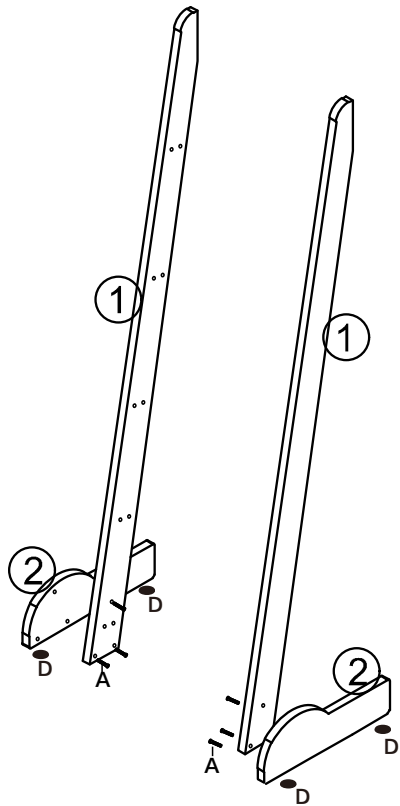


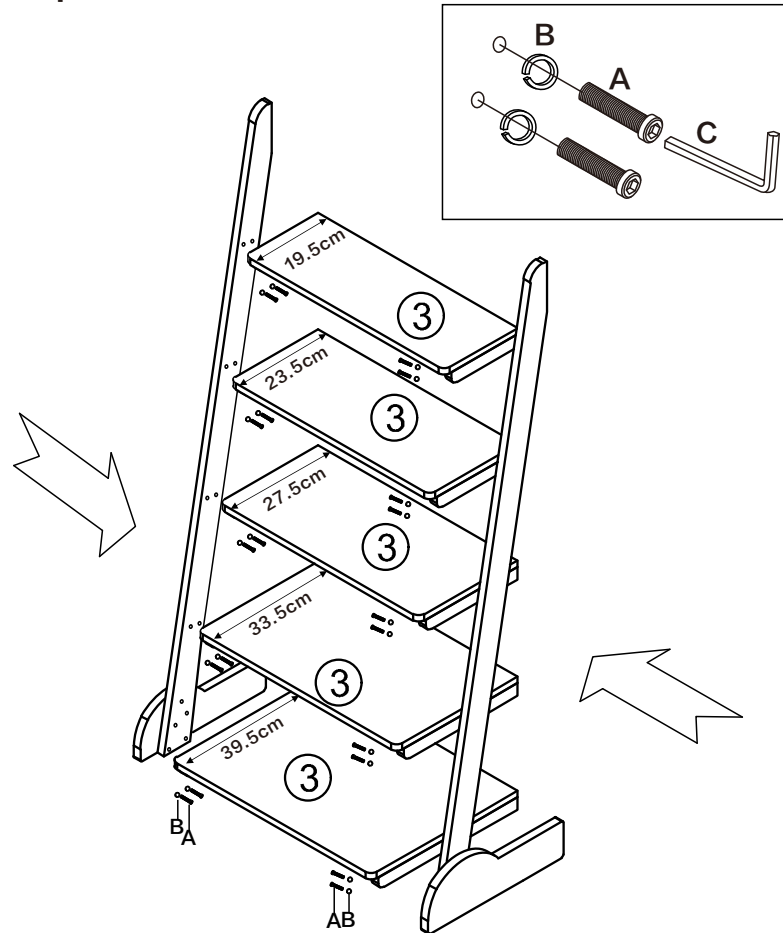
Installation diagram

Step1:



Use accessories A C D

Step2:



Use accessories A B C

Step3:

