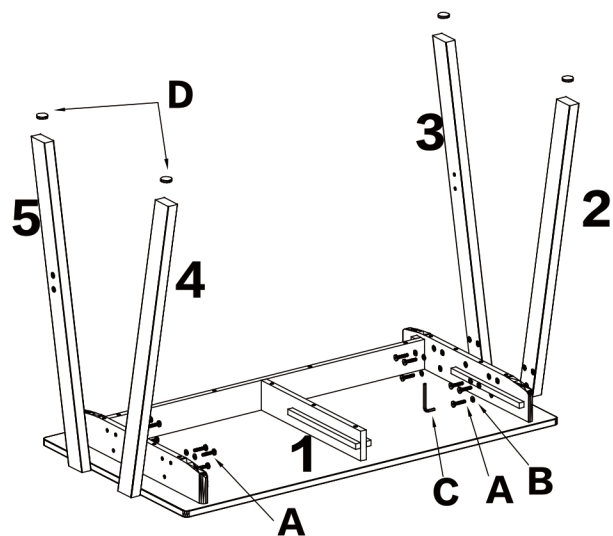
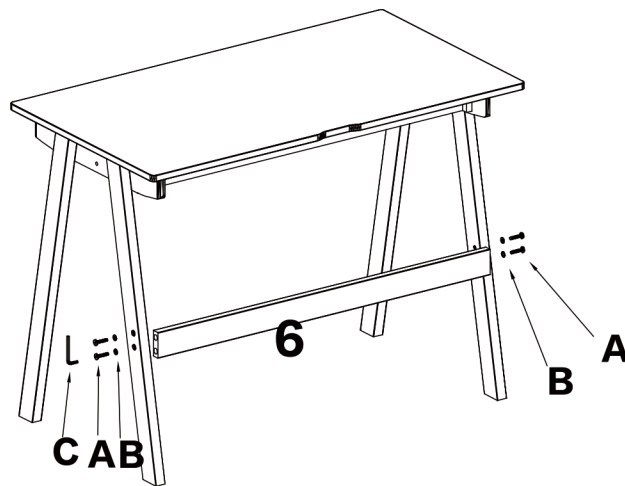


Step1: Install front and back feet



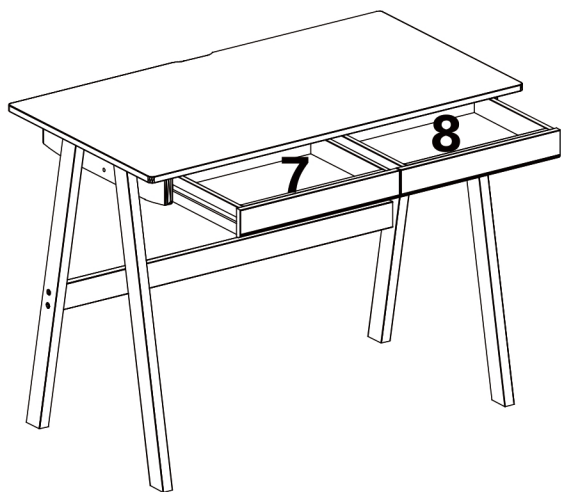
Use accessories A B C D

Step2: Install lower brace tracking plate



Use accessories A B C

Step3 : Place left and right drawers



Step4: Installation complete

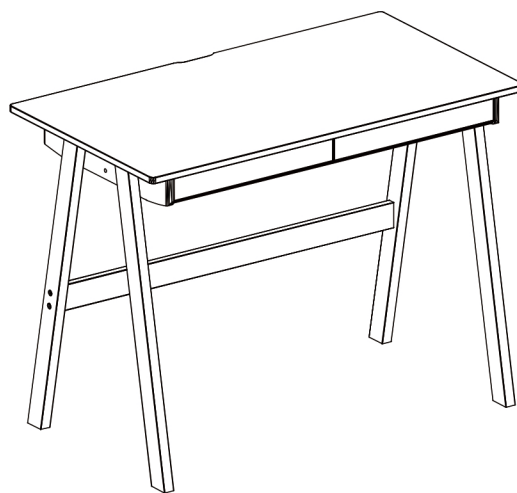


	Plate name	pcs
1	Desktop frame	1
2	Left front foot	1
3	Left back foot	1
4	Right front foot	1
5	Right back foot	1
6	Lower brace	1
7	Drawer	1
8	Right drawer	1

