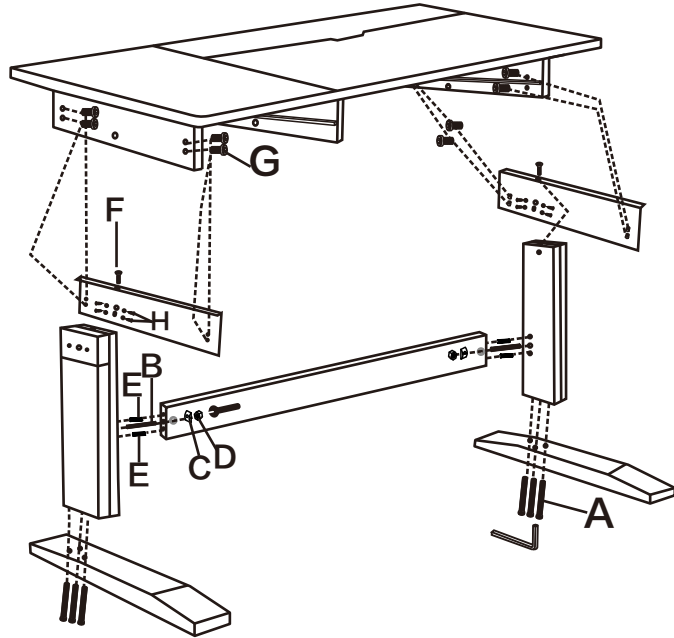
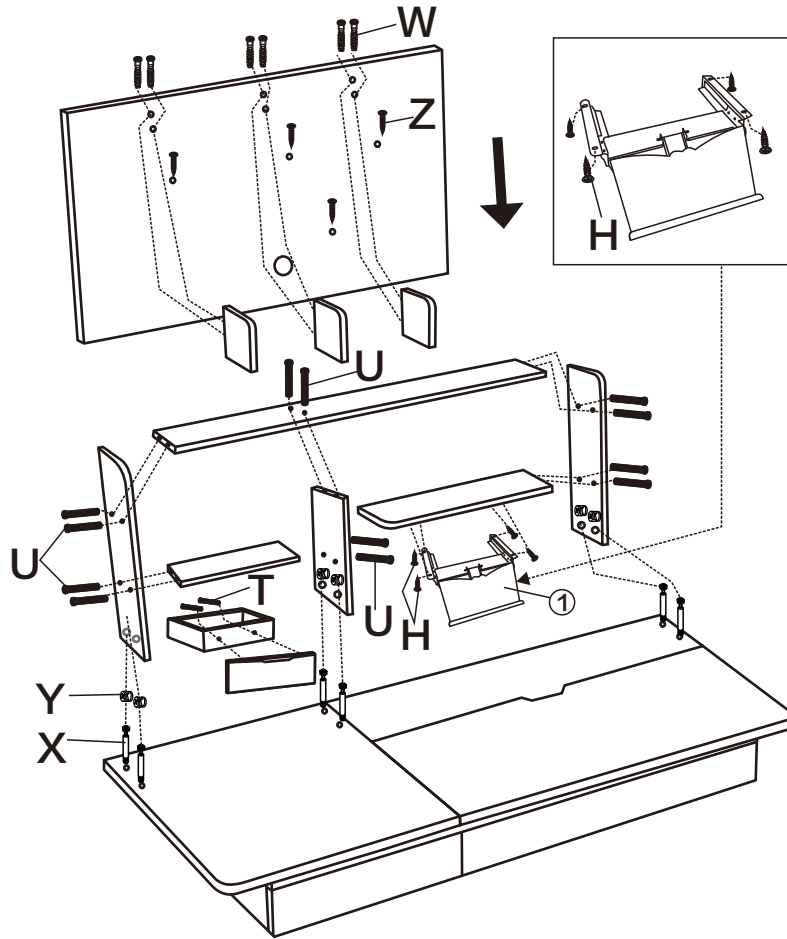
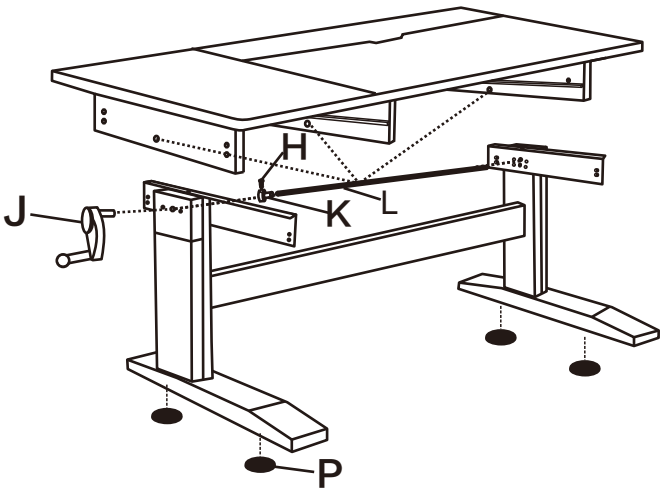


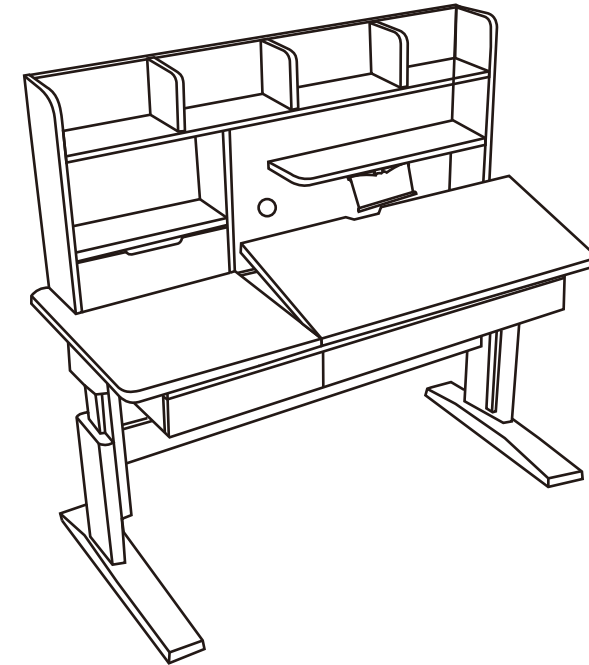
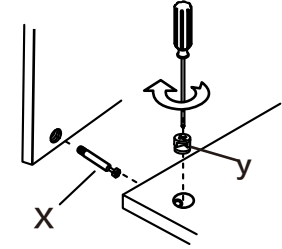
Desk installation diagram



Place accessory L through the table and leg



Place accessories X and Y into the hole
Tighten with a screwdriver



	Desk	pcs
A		6
B		2
C		2
D		2
E		2
F		2

	Desk	pcs
G		8
H		6
J		1
K		1
L		1
M		1

	Desk	pcs
N		1
P		4
R		1
S		1

	Bookshelf	pcs
T		1
U		4
V		1
W		1
X		
Y		

	Bookshelf	pcs
Z		6
H		1
①		1