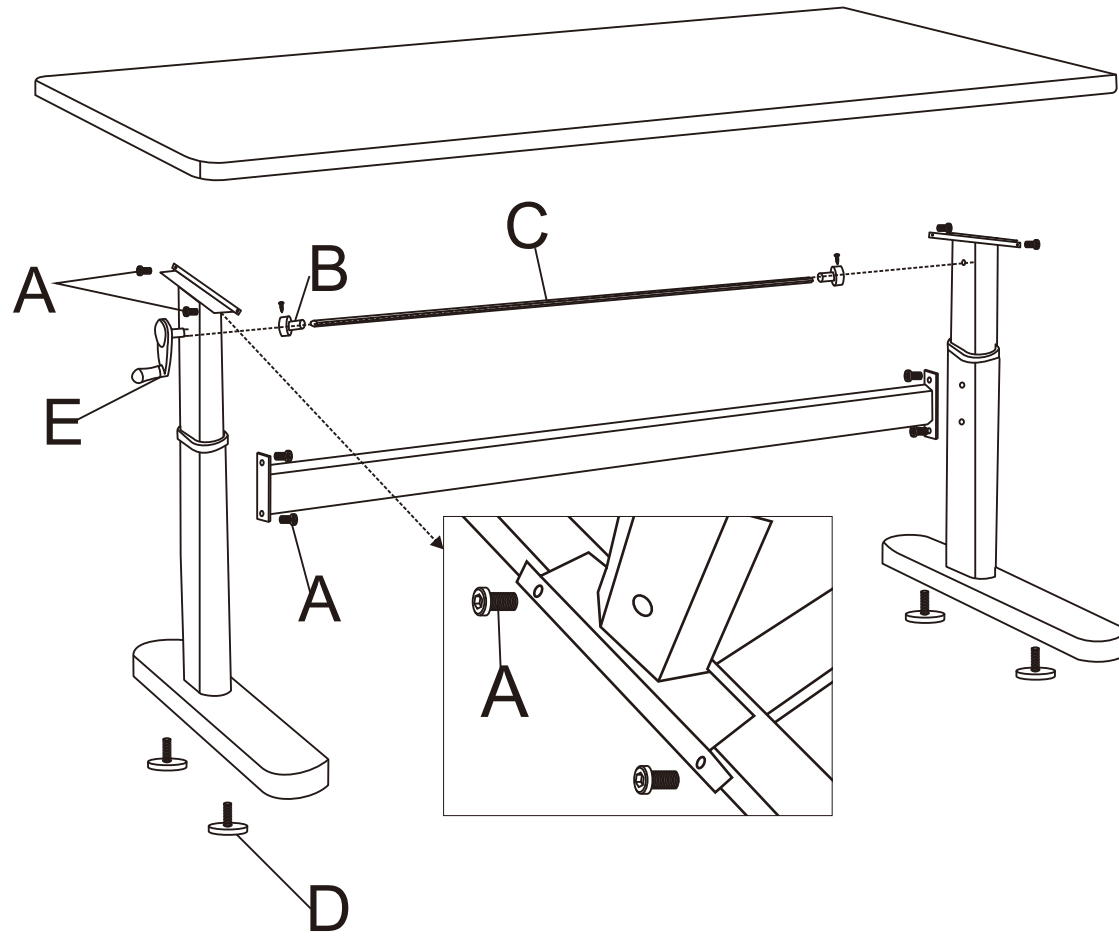
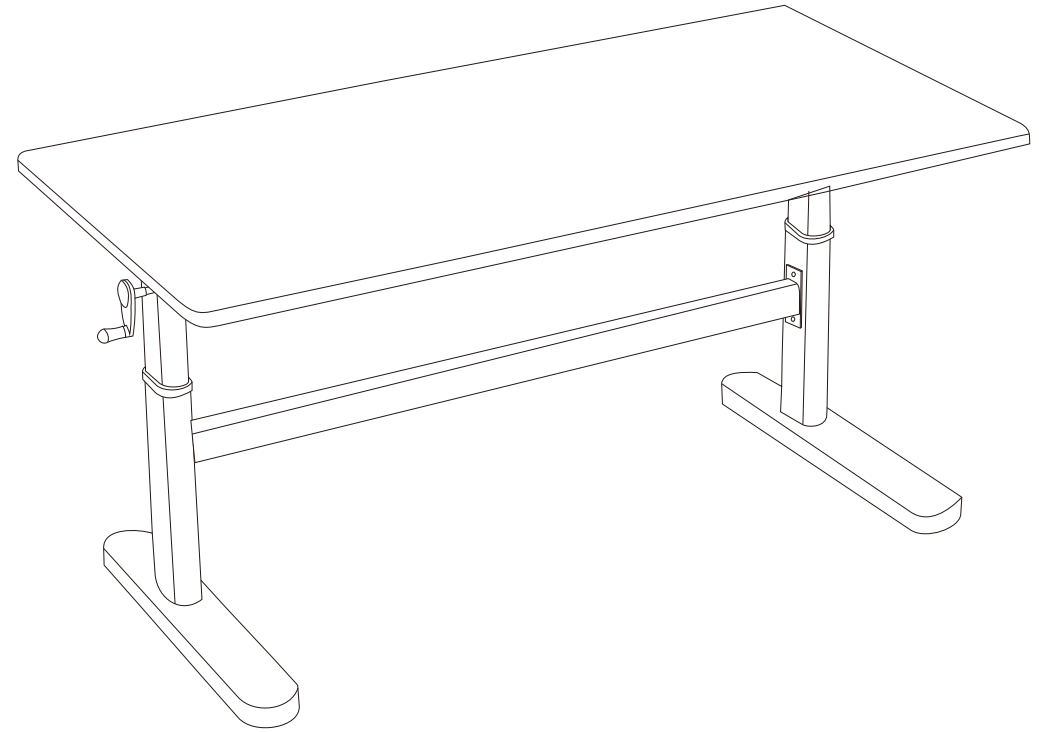


# Installation diagram

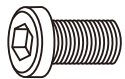
## Step1:Installation table leg



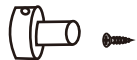
## Step2:Installation complete



**A** 8pcs



**B** 2pcs



**C** 1pcs



**D** 4pcs



**E** 1pcs

