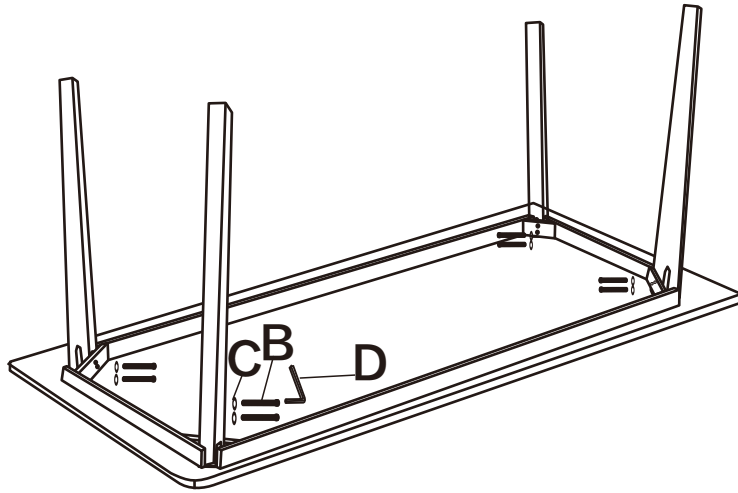


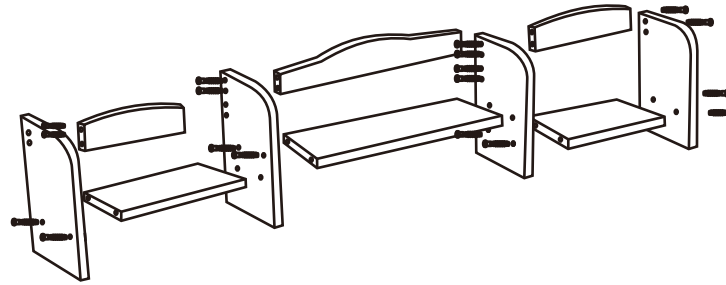
Installation diagram

Step1: Install table leg



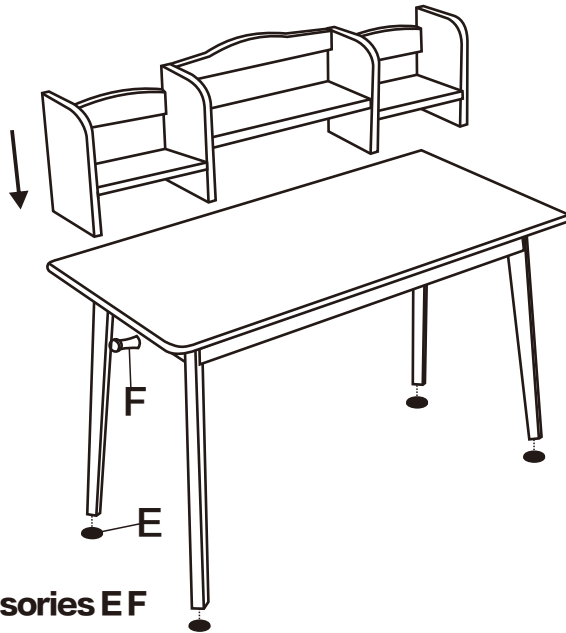
Use accessories B、C、D

Step2: Install table bookshelf



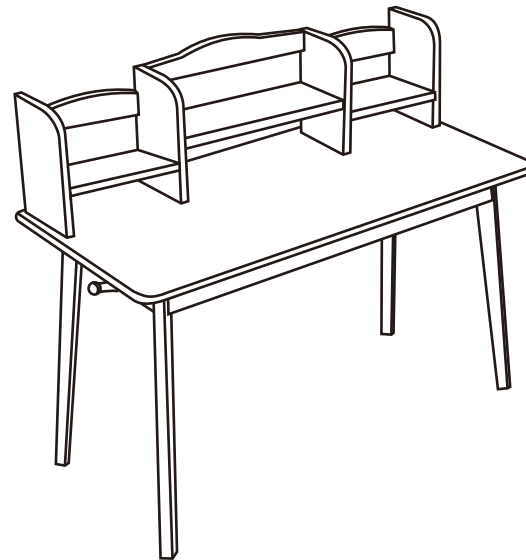
Use accessories A







Step3 : Place bookshelves and install hooks



Use accessories E F

Step4:



	Parts List	pcs
A		18
B		8
C		8
D		1
E		4
F		1