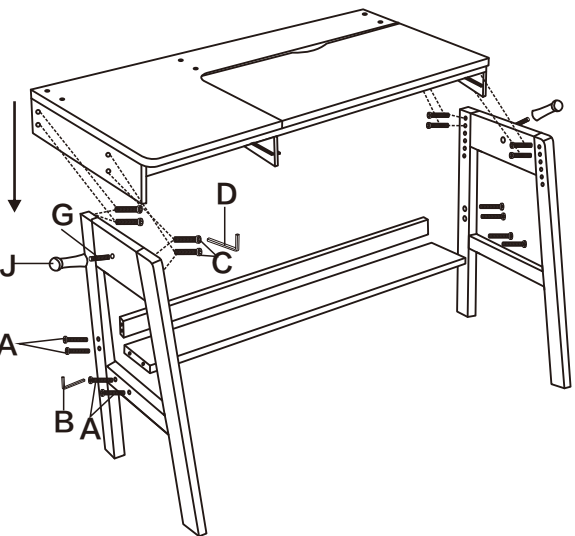


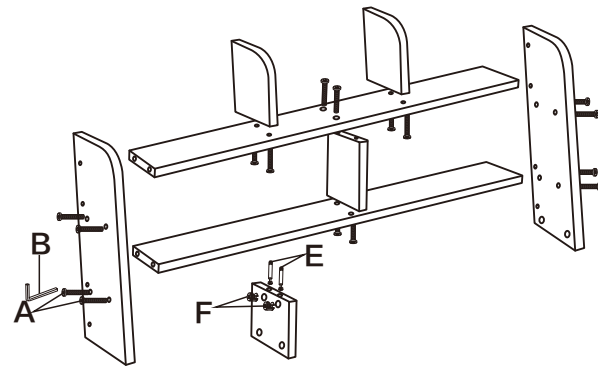
# Installation diagram

**Step1: Install table legs and racks**



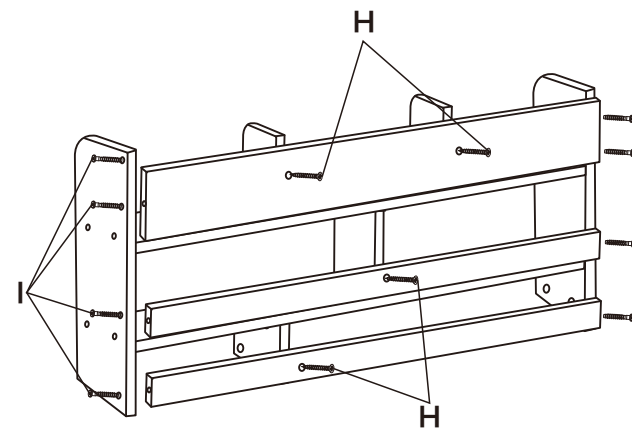
**Use accessories AB CD**

**Step2: Install the bookshelf laminate**



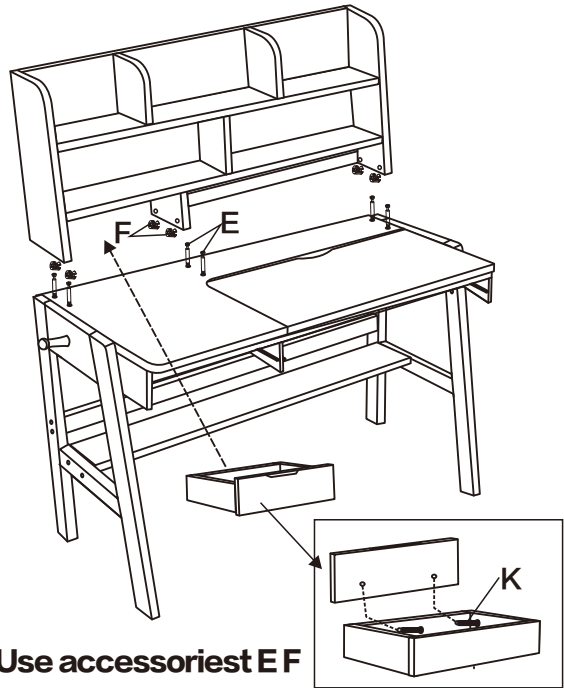
**Use accessories AB EF**

**Step3: Install the backboard**



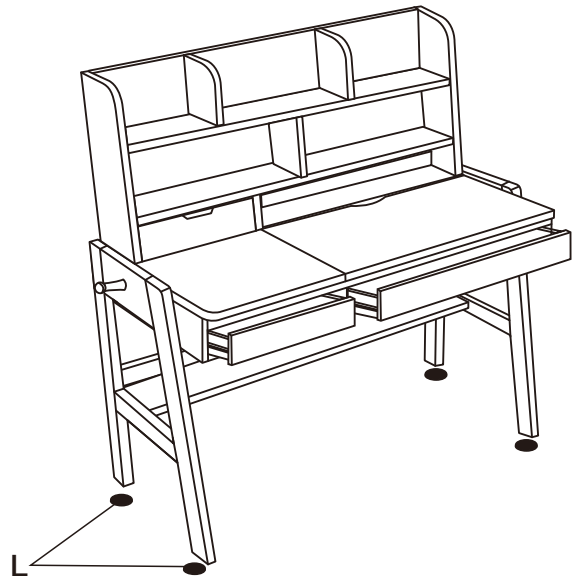
**Use accessories IH**

**Step4: Install the bookshelf**

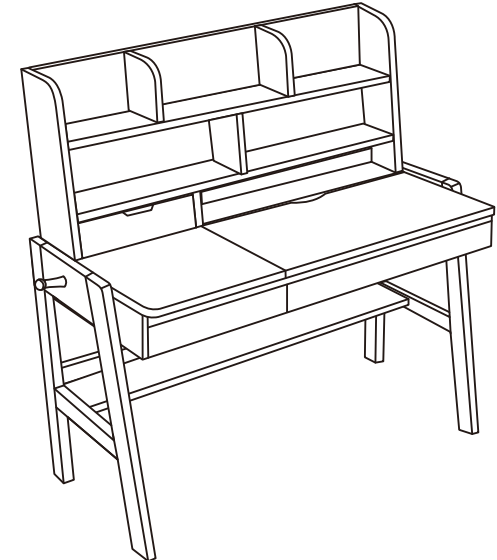






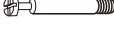






**Use accessories EF**

**Step5: Placed a drawer**



**Step6: Installation complete**



- A** 24pcs 
- B** 1pcs 
- C** 8pcs 
- D** 1pcs 
- E** 8pcs 
- F** 8pcs 
- G** 2pcs 
- H** 4pcs 
- I** 8pcs 
- J** 2pcs 
- K** 2pcs 
- L** 4pcs 