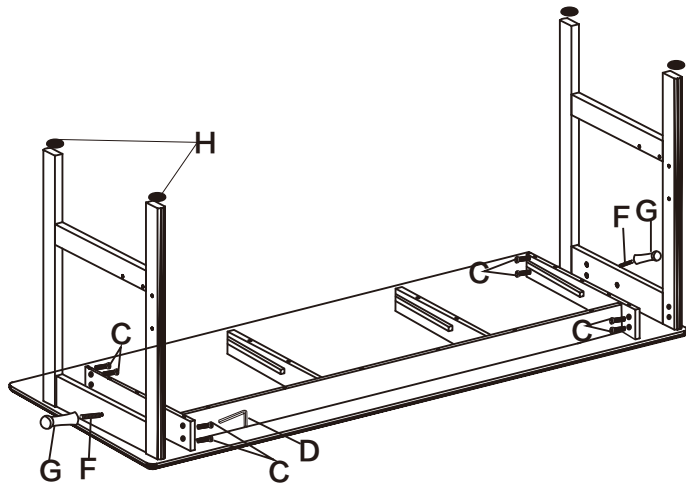


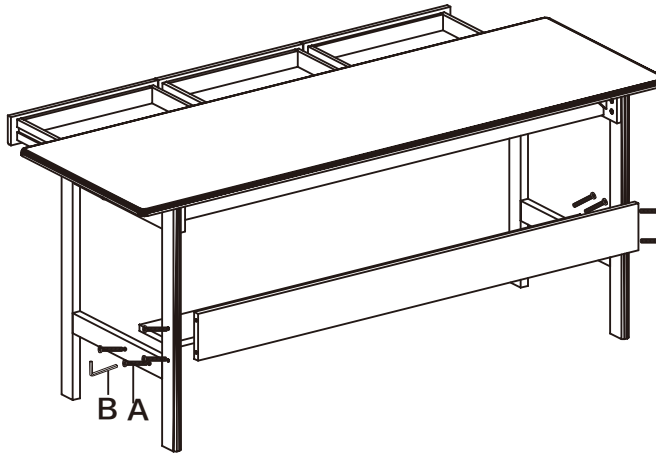
# Installation diagram

Step1: Install table legs and hook rack



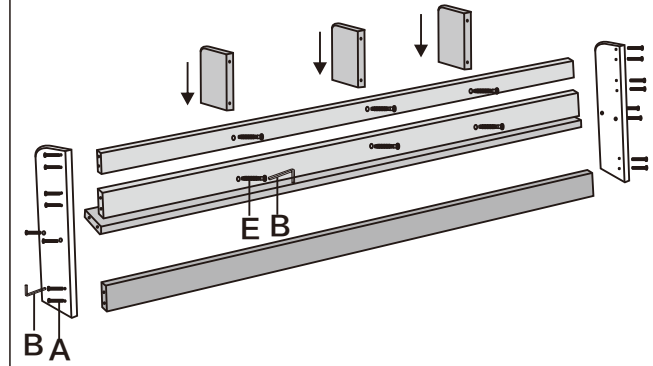
Use accessories C D F G H

Step2: Install shelving and place drawers



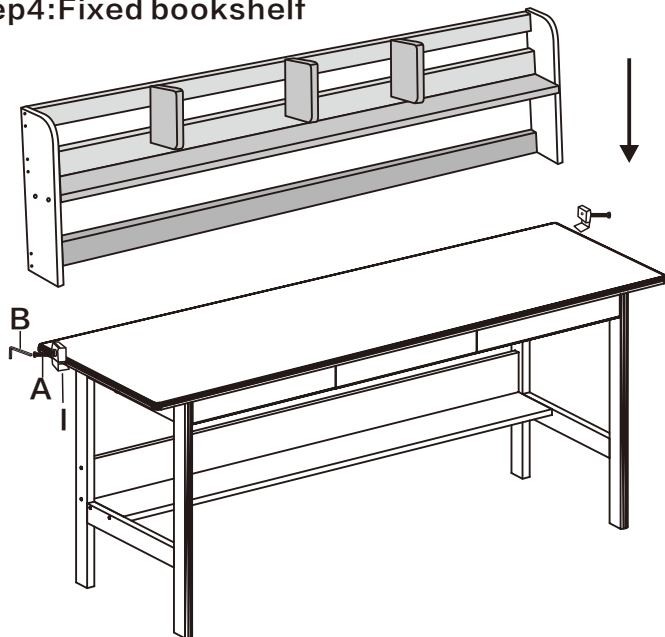
Use accessories A B

Step3: Install bookshelf



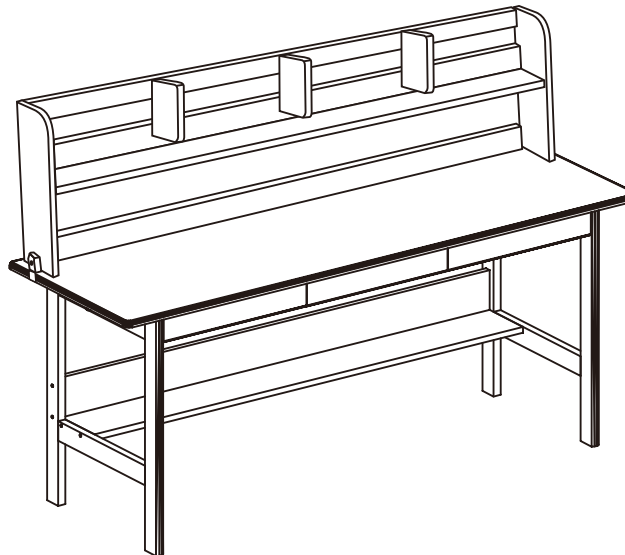
Use accessories A B E









Step4: Fixed bookshelf



Use accessories A B L

Step5: Installation complete



<b>A</b>	26pcs	<b>F</b>	2pcs
			
<b>B</b>	1pcs	<b>G</b>	2pcs
			
<b>C</b>	8pcs	<b>H</b>	4pcs
			
<b>D</b>	1pcs	<b>I</b>	2pcs
			
<b>E</b>	6pcs		
