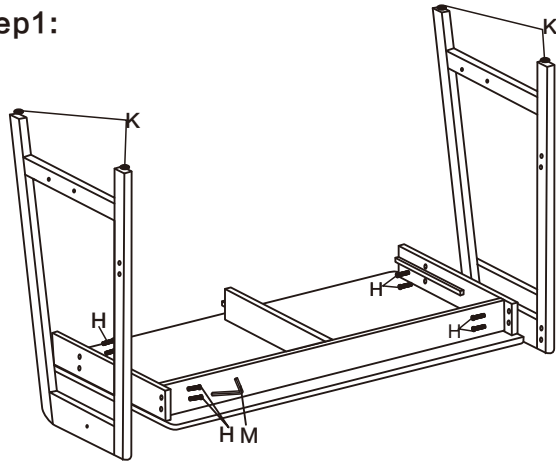


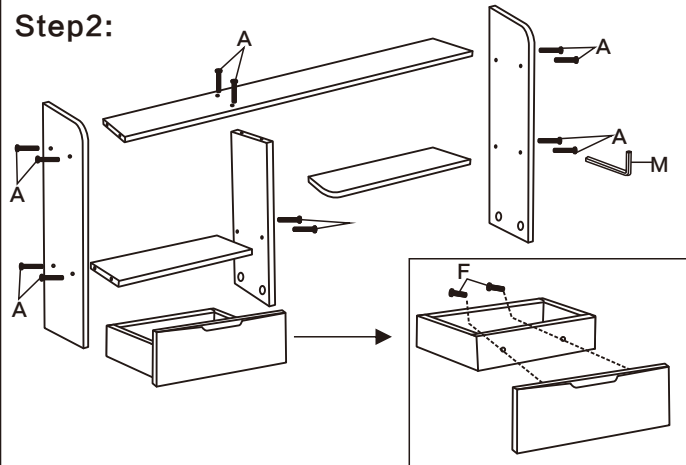
Installation diagram

Step1:



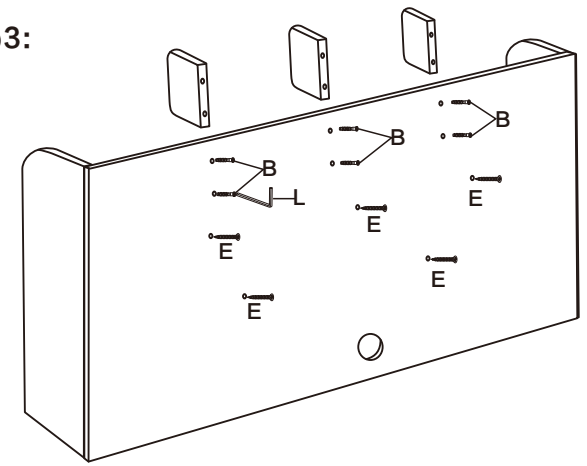
Use accessories H M K

Step2:



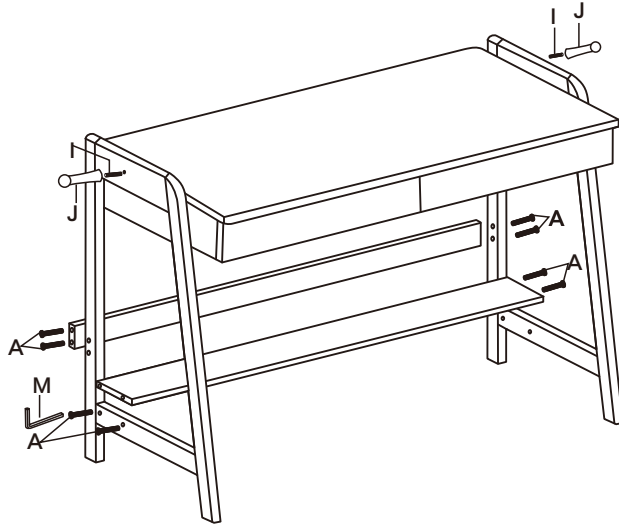
Use accessories A F M

Step3:



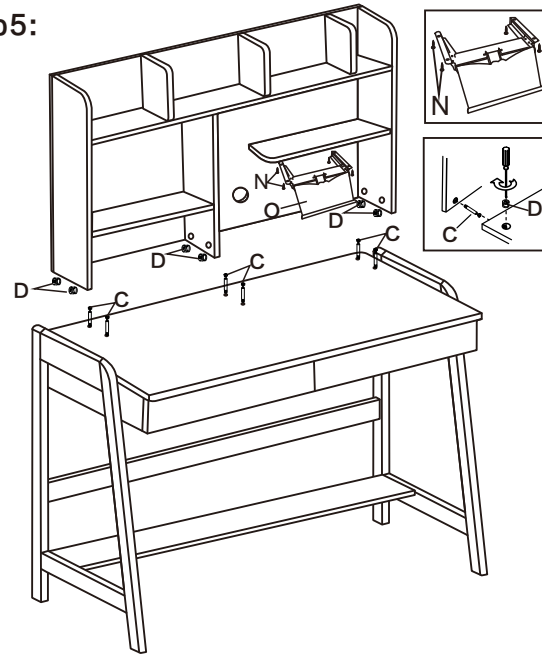
Use accessories B E L

Step4:



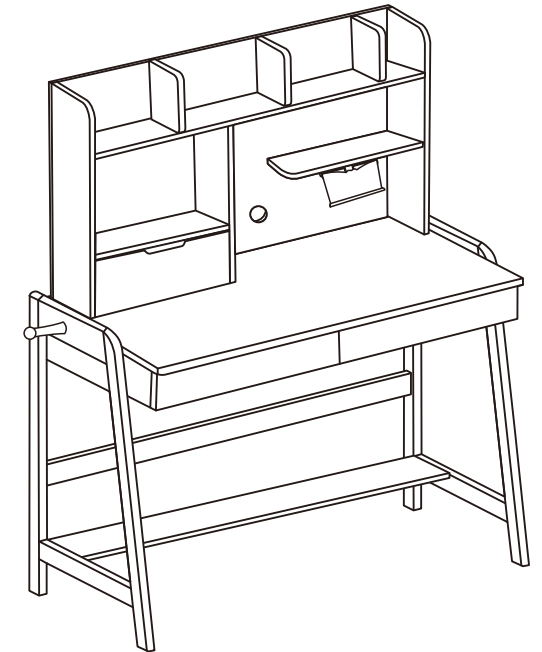
Use accessories A M I J

Step5:



Use accessories CDNO

Step6:



A	20pcs	B	6pcs	C	6pcs	D	6pcs	E	5pcs	F	2pcs	H	8pcs	O	1pcs
I	2pcs	J	2pcs	K	4pcs	L	1pcs	M	1pcs	N	4pcs				