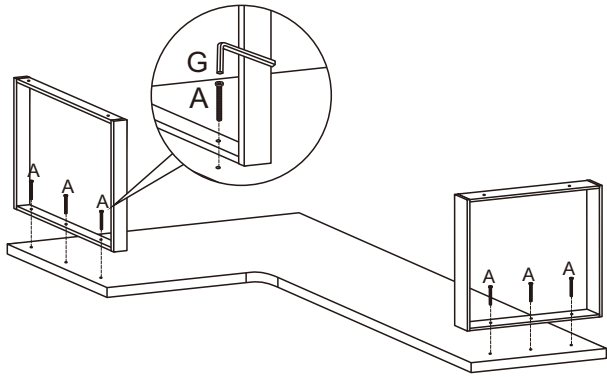
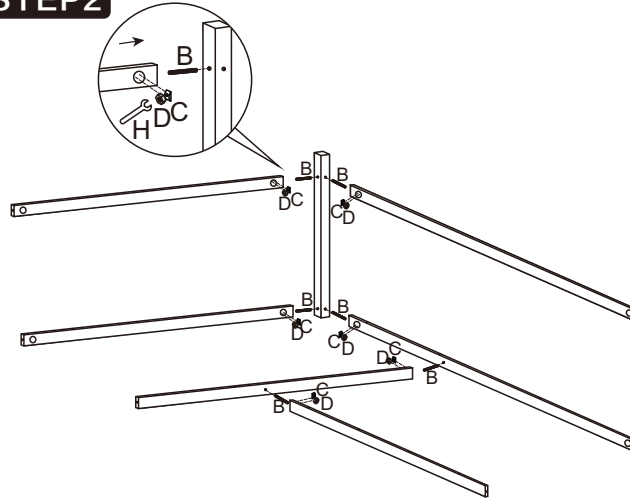


# Installation diagram

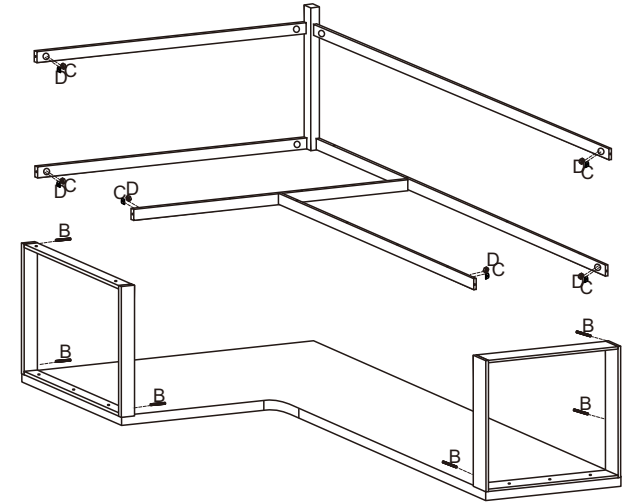
## STEP 1



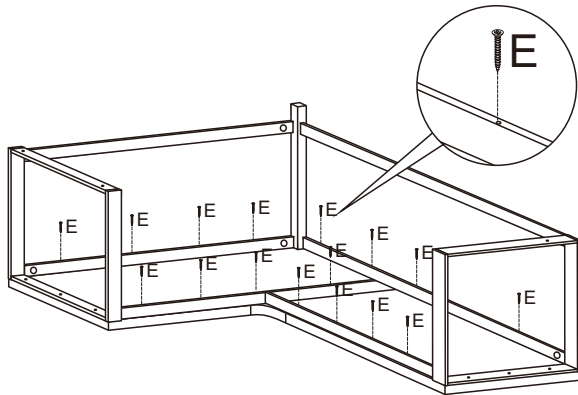
## STEP 2



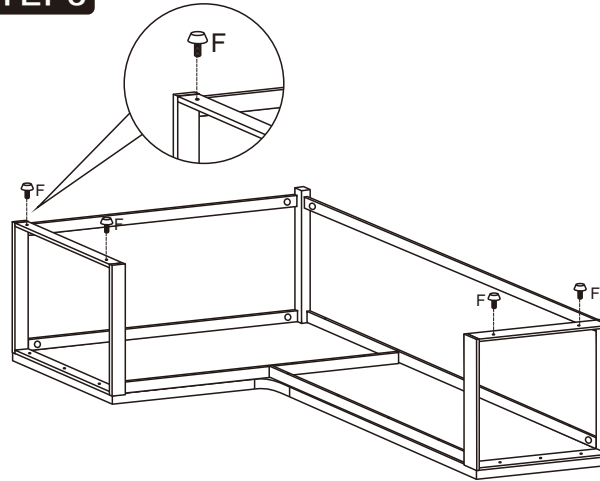
## STEP 3



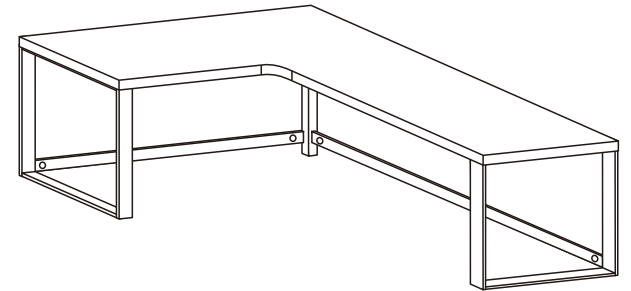
## STEP 4



## STEP 5



## Finish



**A** 6pcs



**B** 12pcs



**C** 12pcs



**D** 12pcs



**E** 16pcs



**F** 4pcs



**G** 1pcs



**H** 1pcs

