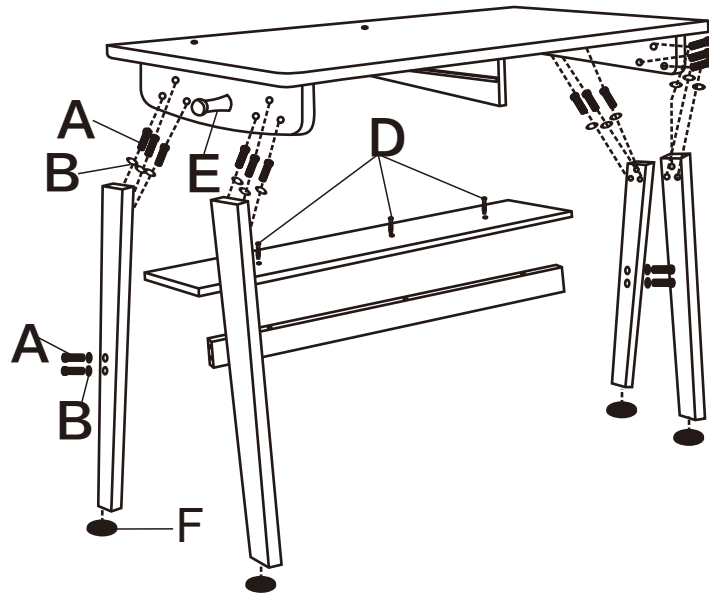


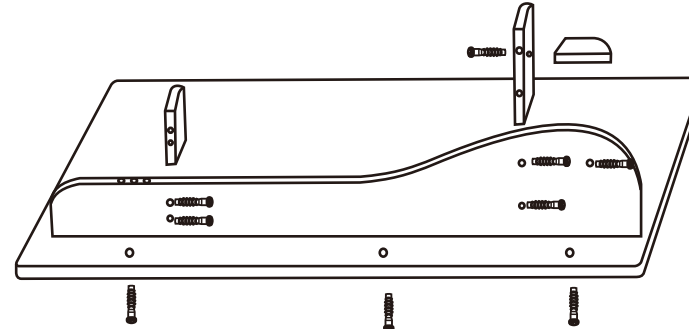
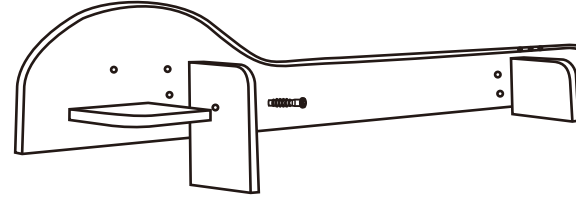
# Installation diagram

## Step1: Install table legs and partitions



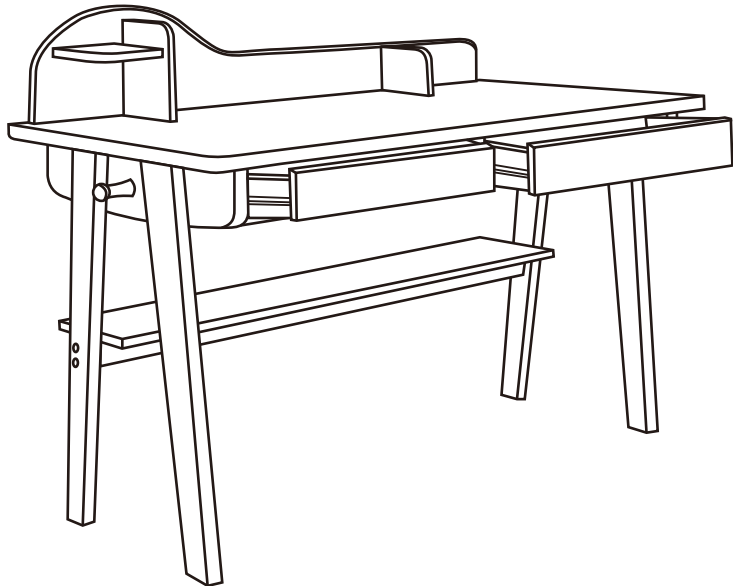
Use accessories A、 B、 C、 D、 E、 F

## Step2: Install bookshelf

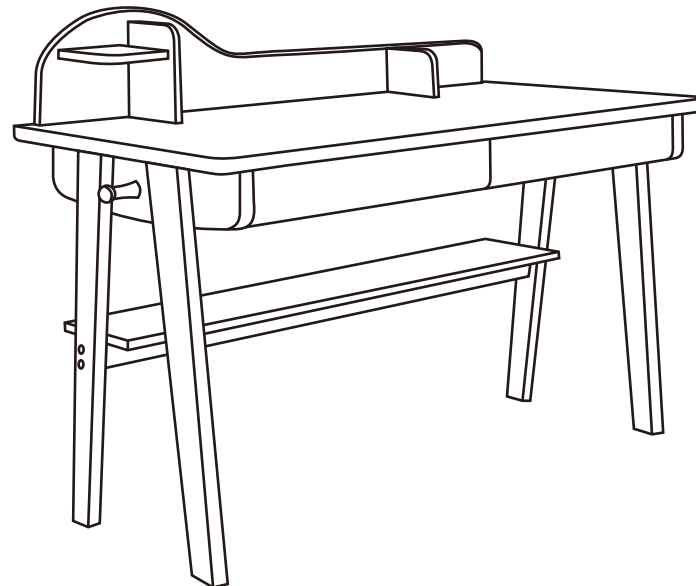








Use accessories D

## Step3 : Place drawer



## Step4::Installation complete



	Parts List	pcs
A		16
B		16
C		1
D		12
E		1
F		4