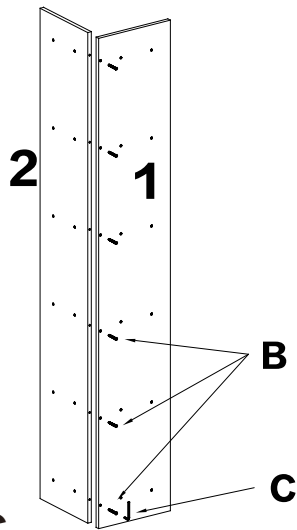


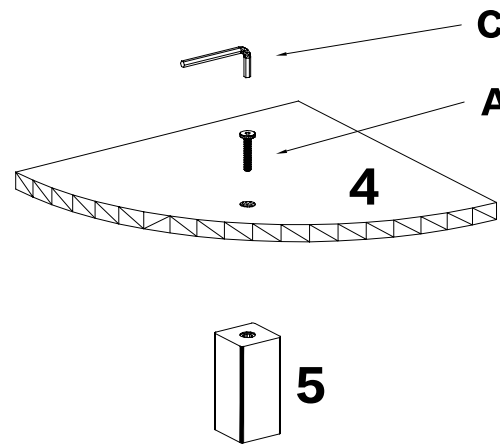
# Installation diagram

Step1: The left and right backplanes are connected.



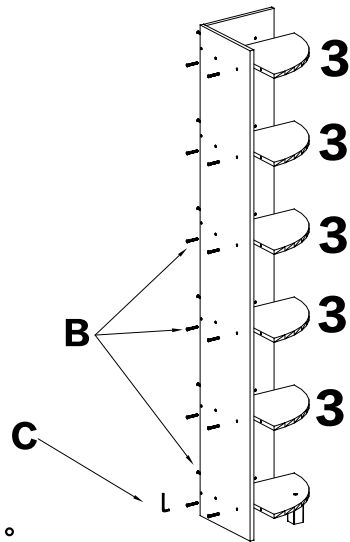
Use accessories B、C

Step2: Support feet are installed on the bottom plate.



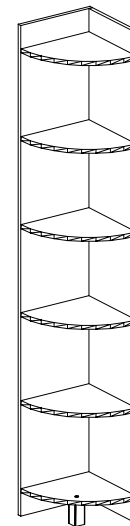
Use accessories C、A




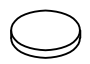
Step3 : Install baseboards and laminates



Use accessories B、C

Step4: Installation complete.



|   | Parts List   | pcs |
|---|--|-----|
| A |  6*30 | 1   |
| B |  7*38 | 30  |
| C |       | 1   |
| D |       | 4   |

| S/N | Name             | pcs |
|-----|------------------|-----|
| 1   | Left side plate  | 1   |
| 2   | Right-side plate | 1   |
| 3   | laminate         | 5   |
| 4   | Bottom plate     | 1   |
| 5   | Supporting leg   | 1   |