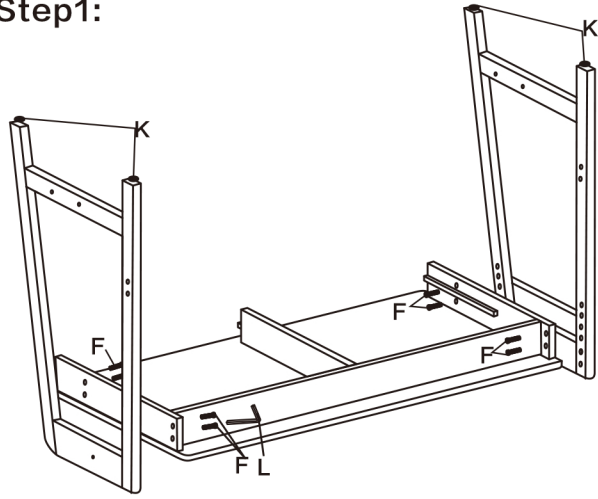


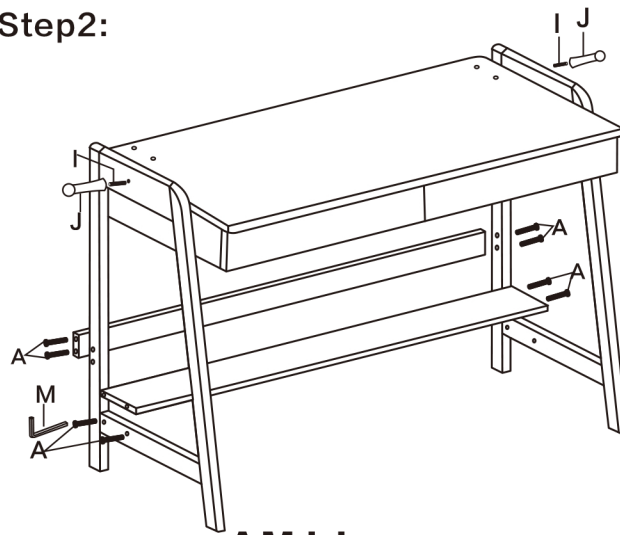
Installation diagram

Step1:



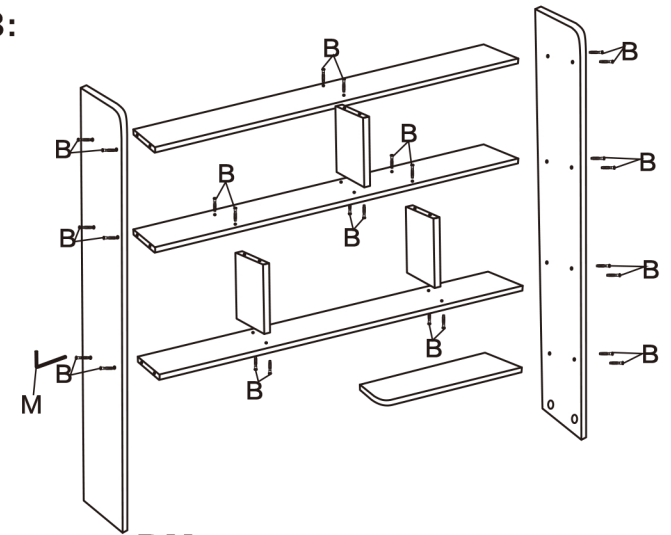
Use accessories **FLK**

Step2:



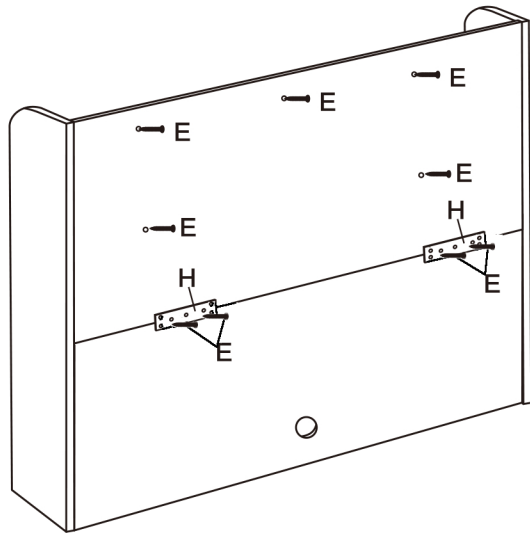
Use accessories **AM I J**

Step3:



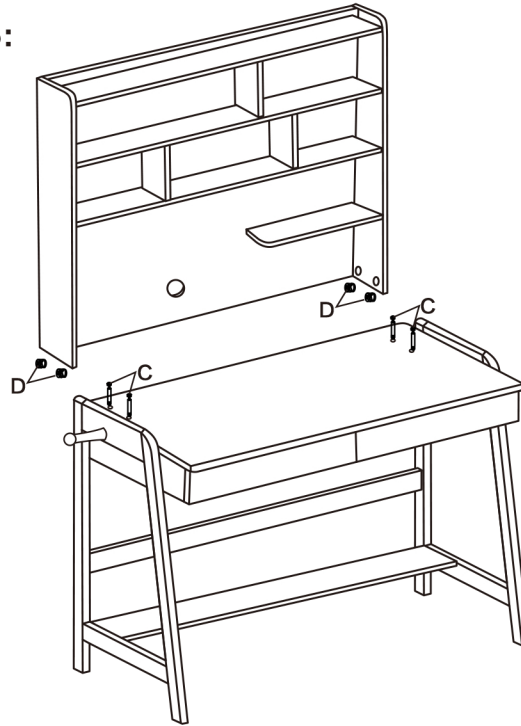
Use accessories **BM**

Step4:



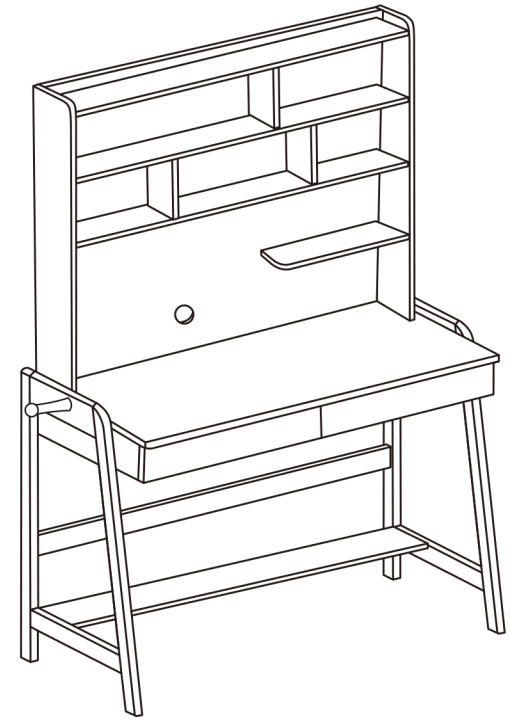
Use accessories **EH**

Step5:



Use accessories **CD**

Step6:



A	8pcs	B	26pcs	C	4pcs	D	4pcs	E	9pcs	F	8pcs	H	2pcs	I	2pcs	J	2pcs	K	4pcs	L	1pcs	M	1pcs
